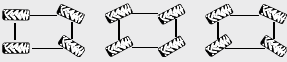




MHT 10230

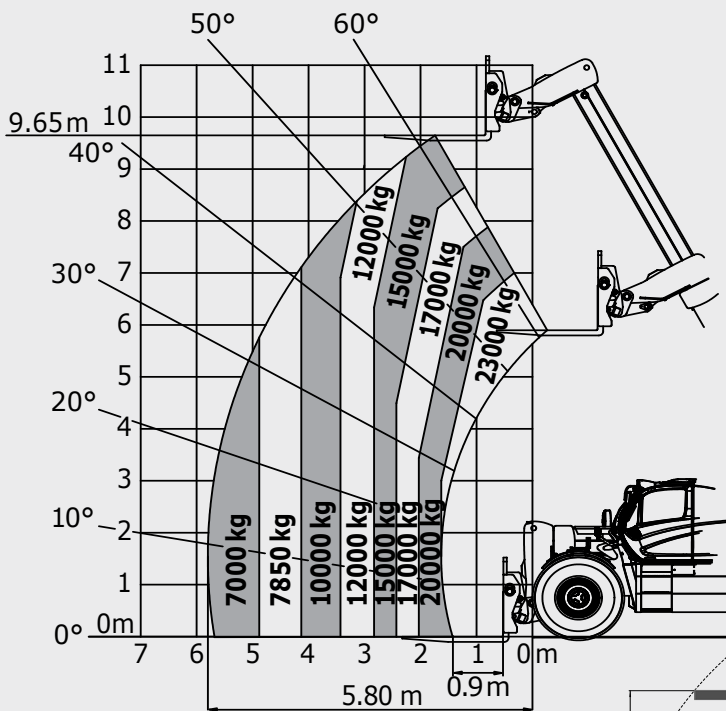


MHT 10230	
Lifting	
Max. capacity with forks at 900 mm	23 000 kg
Max. lifting height	9.65 m
Max. Outreach	5.8002 m
Tyres	18.00 R 25
Frame levelling	+/- 10°
Braking	
Service brake	Oil bath multiple-disc brakes hydraulically assisted on both axles
Parking brake	Automatic Negative Parking brake
Engine	
MERCEDES	
Type	OM 934 LA. E4-3 (Stage IV / Tier IV final)
Displacement	4 cylinders 5.1 liters
Power	176 HP / 129 kW
Max. torque	750 Nm / 1200-1600 rpm
Batteries	24 V - 2X12 V - 120 Ah - 850 A
Laden drawbar pull	18 500 daN
Gradability	34%
Transmission	
hydrostatic	
Reversing shift	electrohydraulic control
Number of gears (forward / reverse)	2/2
Steering mode	4 wheel steer - 3 steering Modes 
Max. travel speed (may vary according to applicable regulations)	25 kph
Axles	OMCI
Controls	
JSM® Joystick multi-fonction	
Hydraulics	
Load sensing Pump	205 l/min - 350 bar
Capacities	
Urea	63 l
Hydraulic oil	290 l
Fuel	315 l
Unladen weight (with forks)	29 300 kg
Dimensions	
Overall width	2.85 m
Overall height	3.05 m
Overall length to carriage	6.99 m
Ground clearance	0.49 m
Turning radius (over tyres)	5.40 m
Standard forks (length x width x thickness)	1800 x 200 x 110 mm
Safety	
Load state monitoring system (crane norms) attachment recognition system (E-Reco) cab ROPS FOPS level II	
Noise and vibration	
Noise at driving position (LpA)	80 dB
Environmental noise (LwA)	107 dB
Vibration to whole hand / arm	<2.5 m/s ²

MHT 10230

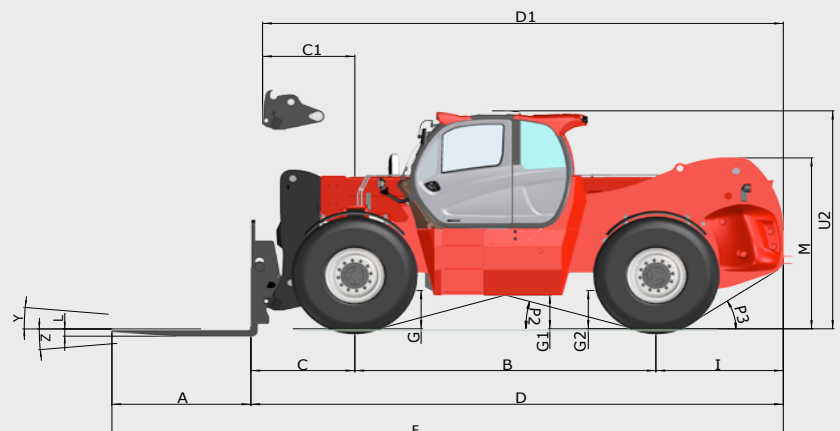
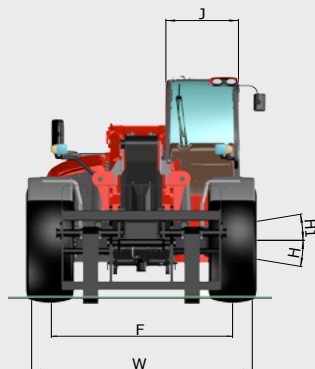
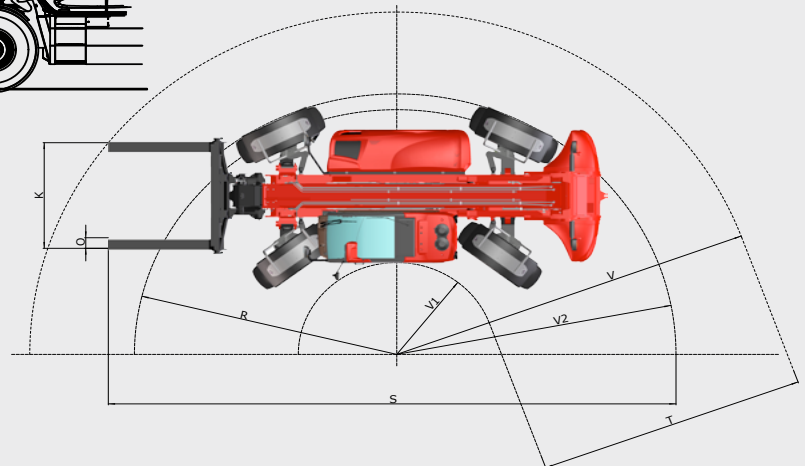


Machine on tyres with forks
CDG 900 mm



mm	MHT 10230
A	1800
B	3900
C	1350
C1	1195
D	6997
D1	6845
E	8797
F	2339
G	580
G1	490
G2	580
H	10°
H1	10°
I	1750
J	928

mm	MHT 10230
K	2000
L	110
M	2370
O	200
P2	16°
P3	32°
R	4945
S	10200
T	4400
U2	3055
V	6650
V1	2250
V2	5400
W	2850
Y	12°
Z	105°



This brochure describes versions and configuration options for Manitou products which may be fitted with different equipment. The equipment described in this brochure may be standard, optional or not available depending on version. Manitou reserves the right to change the specifications shown and described at any time and without prior warning. The manufacturer is not liable for the specifications given. For more information, contact your Manitou dealer. Non-contractual document. Product descriptions may differ from actual products. List of specifications is not comprehensive. The logos and visual identity of the company are the property of Manitou and may not be used without authorisation. All rights reserved. The photos and diagrams contained in this brochure are provided for information only.
MANITOU BF SA - Limited company with board of directors - Share capital: 39,547,824 euros - 857 802 508 RCS Nantes

